



**3DVIA Composer revolutionizes the product documentation process for enterprises of all sizes. With its easy-to-use, desktop content-creation system, 3DVIA Composer quickly and easily automates creation of assembly and disassembly procedures, technical illustrations, interactive 3D animations, training materials, marketing materials, sales tools and more.**

Based on a lightweight, open, XML-based architecture, 3DVIA Composer allows non-technical users to create associative 2D and 3D product deliverables directly from digital product data, including data from any CAD and/or enterprise system. 3DVIA Composer supports users in sales, marketing, customer service, training, support and manufacturing.

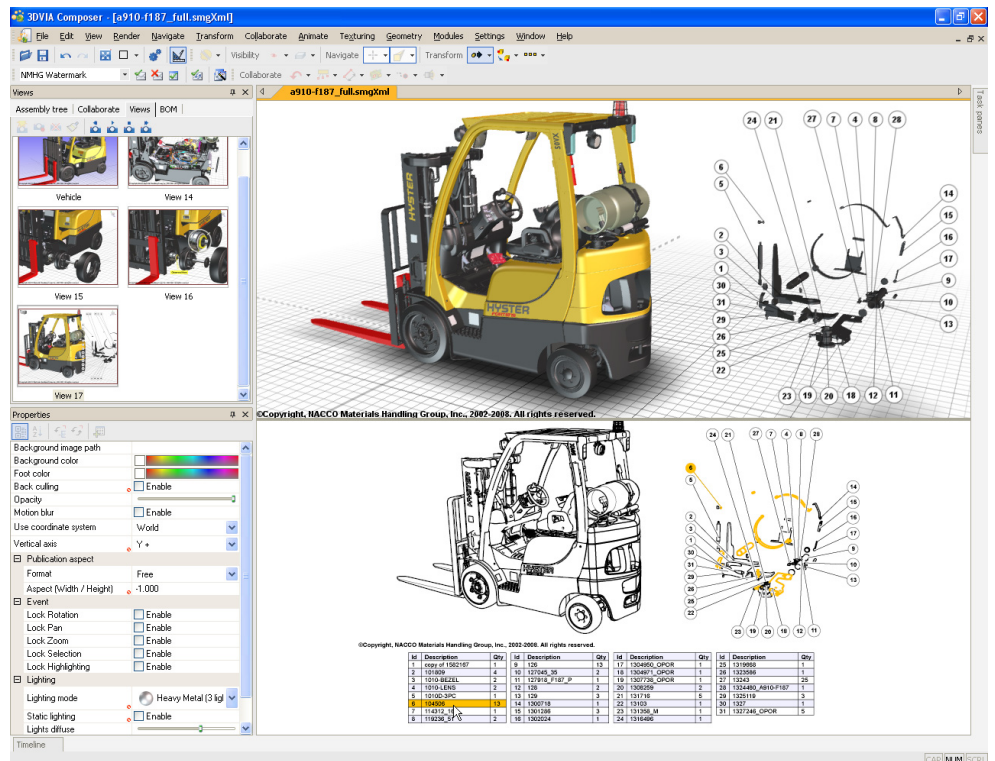
## Deliver product information everywhere™

With 3DVIA Composer, manufacturers realize substantial savings in time and rework costs by not having to recreate or redo product documentation when there are changes to the product. In addition, 3DVIA Composer saves translation costs and improves a wide range of product deliverables with 3D animations and the ability to interact with product documentation.

3DVIA Composer imports any standard 3D CAD data, offers BOM and PLM system integration via simple XML interchange, and can create a high-performance lightweight file format for use with the free 3DVIA Player. 3DVIA Composer outputs many standard file formats, including Microsoft Office®, PDF, HTML, SVG, CGM and more, which permit users to integrate 3DVIA Composer deliverables into existing product documentation. Now, product documentation can be created in exactly the form that is required by reusing digital product definition data. Long-standing, expensive, manual methods of product publishing, like elaborate text documents, producing sketches from photographs and waiting for technical illustrations, are a thing of the past.

Because product documentation is a recurring process, 3DVIA Composer makes it possible to automatically regenerate deliverables when there are changes to the product. 3DVIA Composer also saves time and money by allowing content creators to use whatever partial product information is currently available. Then, when updated product data is available or the product is completed, 3DVIA Composer can apply the new information easily.

Once deliverables are created in 3DVIA Composer, content creators have a wide range of additional capabilities, including the ability to permit or deny certain types of access to the deliverables, the ability to protect any deliverable from misappropriation and the option to distribute the deliverables as discrete outputs and/or with the free, high-performance 3DVIA Player.



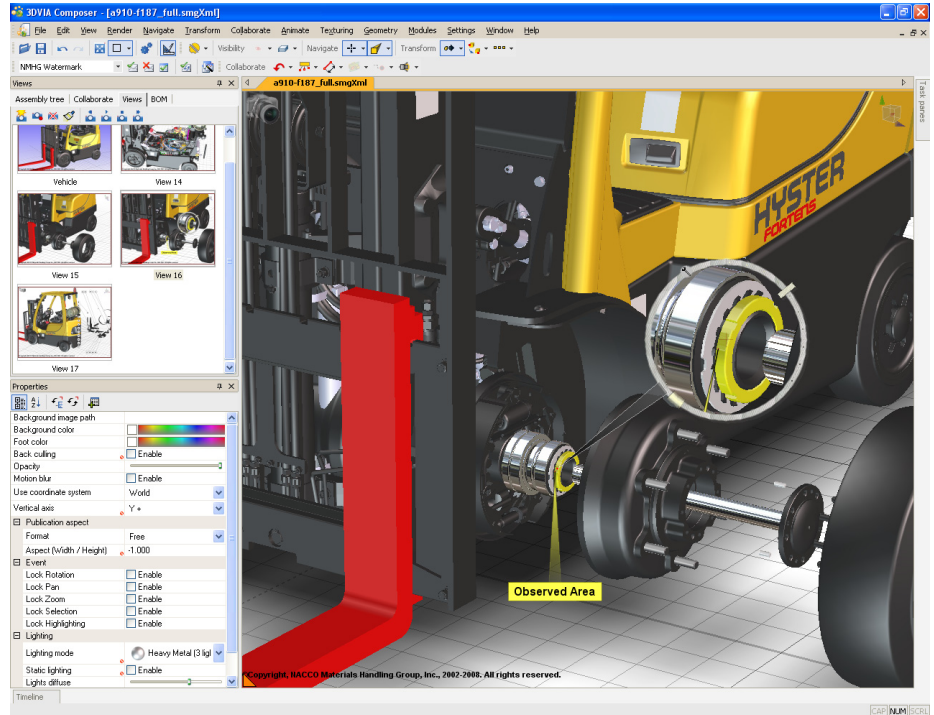


## The 3DVIA Composer Family

**3DVIA Composer** is the core product in the system, and is a desktop application for the creation of product deliverables directly from 3D product data.

3DVIA Composer is designed for end users and does not require CAD knowledge or training. Intelligent views permit complex product procedures to be communicated effectively using a minimum of text. Views can be annotated and labeled in any way and format the user wishes. In addition, 3DVIA Composer permits the creation of styles which can be applied to any content to ensure visual consistency.

Animations including kinematics and reverse-kinematics as well high-resolution image outputs including SVG and CGM files can be created easily. Producing 2D line art is quick and easy with 3DVIA Composer's built-in technical illustration capabilities.



**3DVIA Player**, a free utility, allows content creators to distribute 3DVIA Composer content to any end-user. 3DVIA Player offers the same high performance as 3DVIA Composer. Much more than a simple viewer, 3DVIA Player makes it possible for content consumers to have a highly interactive experience with product deliverables.

**3DVIA Safe** allows users to control and manage access to their intellectual property in 3DVIA Composer-generated deliverables. With 3DVIA Safe, content creators can manage access control when playing content with 3DVIA Player and may also use patented technology to prevent copying or theft of the intellectual property.

**3DVIA Sync** and **3DVIA Sync Integration** deliver sophisticated, XML-based associativity among 3DVIA Composer and any number of enterprise systems. With 3DVIA Sync, changes in metadata, geometry, BOMs or manufacturing information can be updated in 3DVIA Composer deliverables on the desktop, guaranteeing accurate and consistent information. 3DVIA Sync Integration adds the ability to automatically regenerate deliverables created by 3DVIA Composer when the underlying product data changes.

**3DVIA Check** and **3DVIA Path Planning** make product deliverables more useful and instructive by validating that the procedures can actually be performed in the real world. 3DVIA Check offers dynamic and static clash detection, allowing users to quickly qualify service and assembly procedures. 3DVIA Path Planning delivers the ability to automatically create assembly and disassembly paths for parts and subassemblies to avoid collisions with the rest of the assembly. 3DVIA Path Planning allows content creators to plan and guarantee the ability to access components within the assembly to service and/or repair them.

For more information, visit <http://www.3dviacomposer.com>. Read the 3DVIA Composer blog at <http://www.3dmojo.com> and interact with the 3DVIA Composer community at <http://forum.3dmojo.com>