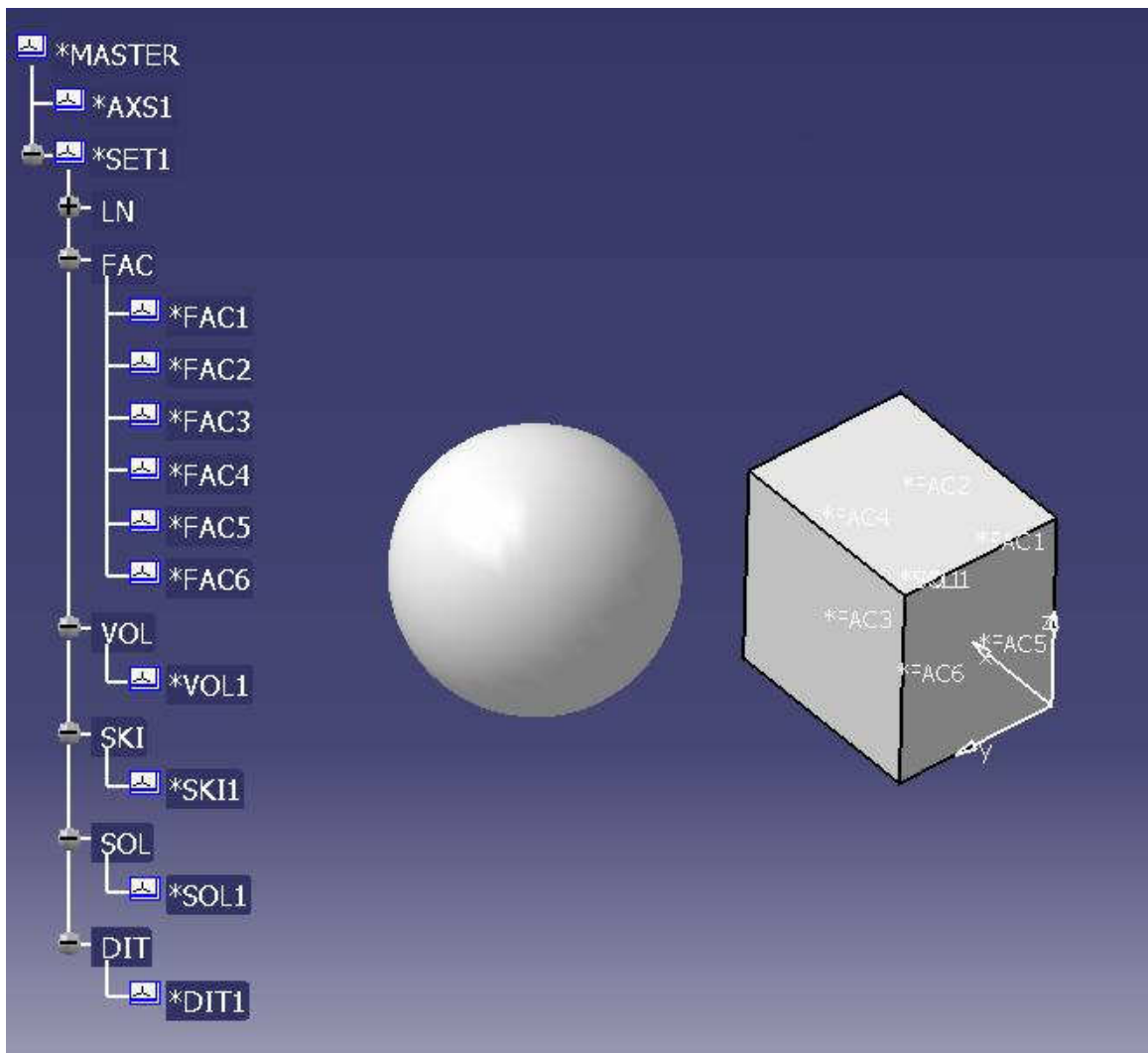
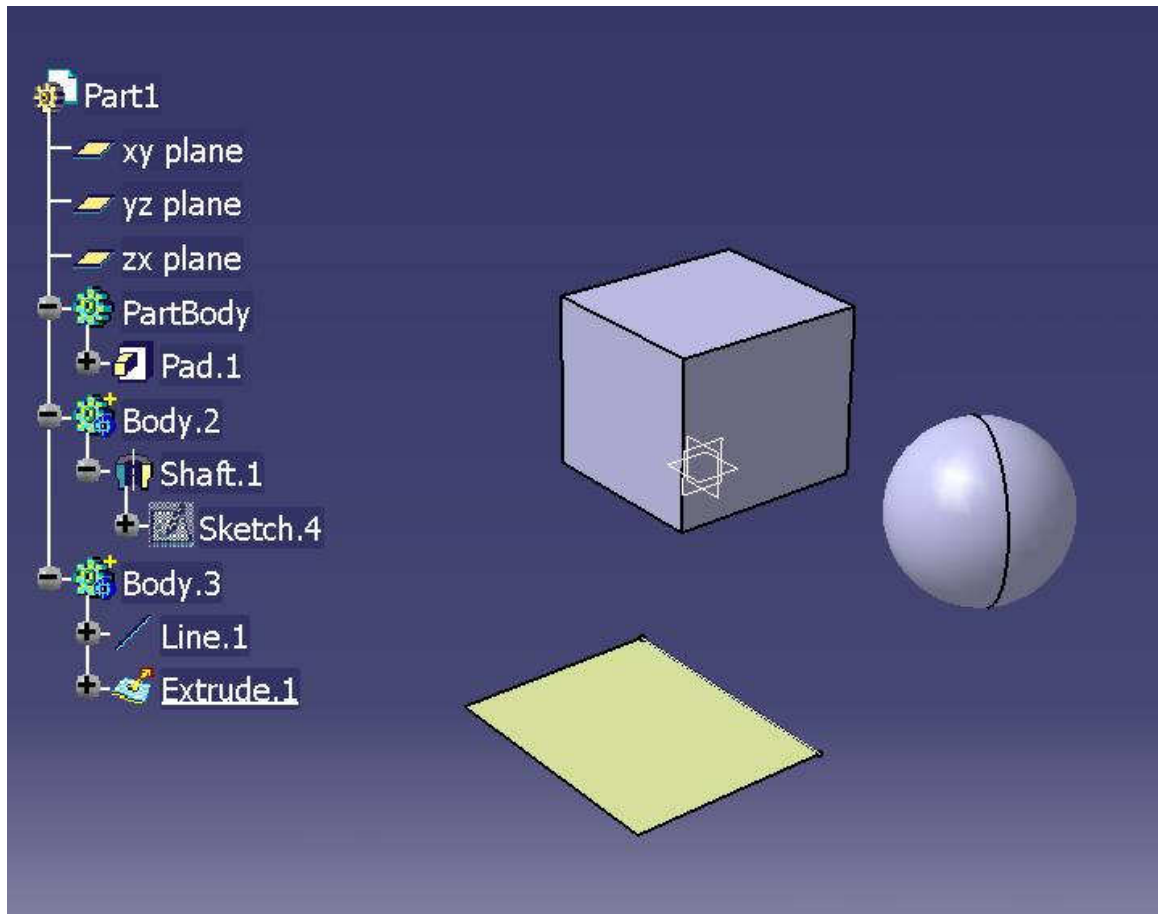


CATIA V4 and CATIA V5 differences

1. Specification Tree Structure

1. CATIA V4 and CATIA V5 architecture are different hence Specification tree appearance is different
2. CATIA V4 has Faces, SKIN, Volume, Solid and Dittos whereas CATIA V5 has only Surface (SKIN) and Solid





2. Data Storage and Geometry building

1. CATIA V4 have the concept of *VOL and *FAC hence the method used to store the geometry is different
2. To create a *VOL and *SKIN, CATIA V4 needs *FACES hence way of building the geometry in CATIA V4 is different than CATIA V5

3. Modeler Tolerance

1. CATIA V4 modeler tolerance depends upon model dimension for ex. 0.05mm for model dimension 5000 and 0.1mm for model dimension 10000,
2. Wheres CATIA V5 has modeler tolerance as 1/1000 equal to 0.001mm

4. Continuity

1. CATIA V4 has Point and Tangent continuity
2. CATIA V5 has Point, Tangent and Curvature continuity

3. As a result Loft created in CATIA V4 will not be of same shape in CATIA V5 after migration

5. DRAW and SPACE

1. Single CATIA V4 model can contain 3D geometry (SPACE) and associative 2D geometry (DRAW)
2. In CATIA V5 CATPart (SPACE) and associative CATDrawing (DRAW) are different documents
3. Hence one migration of CATIA V5 model 2 CATIA V5 documents (CATPart and CATDrawing) will be created
4. However, 2 CATIA V5 documents (CATPart and CATDrawing) cannot be save as CATIA V4 model
5. CATDrawing cannot to saved as V4 document. Only 3D geometry can be converted to CATIA V4

6. Operating Systems

1. CATIA V4 is supported only on UNIX
2. CATIA V5 is supported on UNIX and WINDOWS